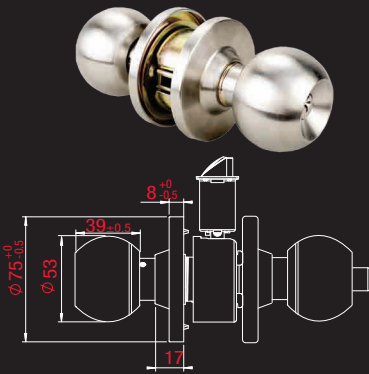


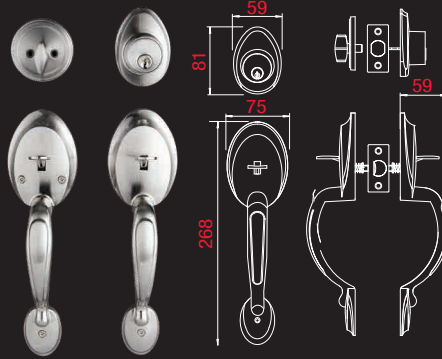


# Good Performance • Safe & Secure



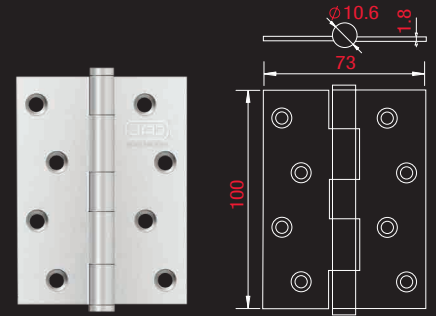
## JDCD-2060

<b>Material</b>	Stainless Steel
<b>Finishing</b>	Stainless Steel
<b>Backset</b>	60mm
<b>D/Thickness</b>	32 - 47mm
<b>Function</b>	Entrance



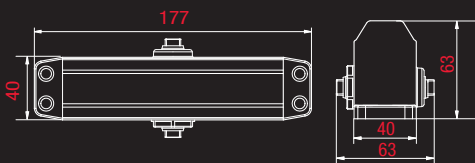
## JDTH-276

<b>Material</b>	Aluminium
<b>Finishing</b>	Satin Nickel / Antique Copper
<b>Backset</b>	60 - 70mm
<b>D/Thickness</b>	32 - 47mm



## JDDH-107318

<b>Material</b>	Stainless Steel
<b>Finishing</b>	Stainless Steel
<b>Backset</b>	100 x 73 x 1.8mm
<b>Max D/ Weight</b>	80kg



## JDDC-703

<b>Material</b>	Aluminium
<b>Max D/ Weight</b>	45kg
<b>Max D/Width</b>	1000mm
<b>Delay Action</b>	No
<b>Backcheck Function</b>	No
<b>Max Open Angle</b>	160 °
<b>Hold-Open</b>	No

<b>Applicable Temperature</b>	-20 to 50 °C
<b>Closing Speed Adjustment - Speed 1</b>	5 - 100 sec
<b>Closing Speed Adjustment - Speed 2</b>	1 - 20 sec
<b>Durability Test</b>	300,000 cycles